



D-LOX®

Installation manual

EN

0. Content

1. Components of the fencing system

1. The posts
2. The panels
3. The panel clamps
4. The cover plates
5. The corner clamps

2. Installation of D-LOX®

1. Foundations
2. Install posts
3. Install panels
4. Special cases

3. Maintenance

1. Components of the fencing system

1. The posts
2. The panels
3. The panel clamps
4. The cover plates
5. The corner clamps

2. Installation of D-LOX®

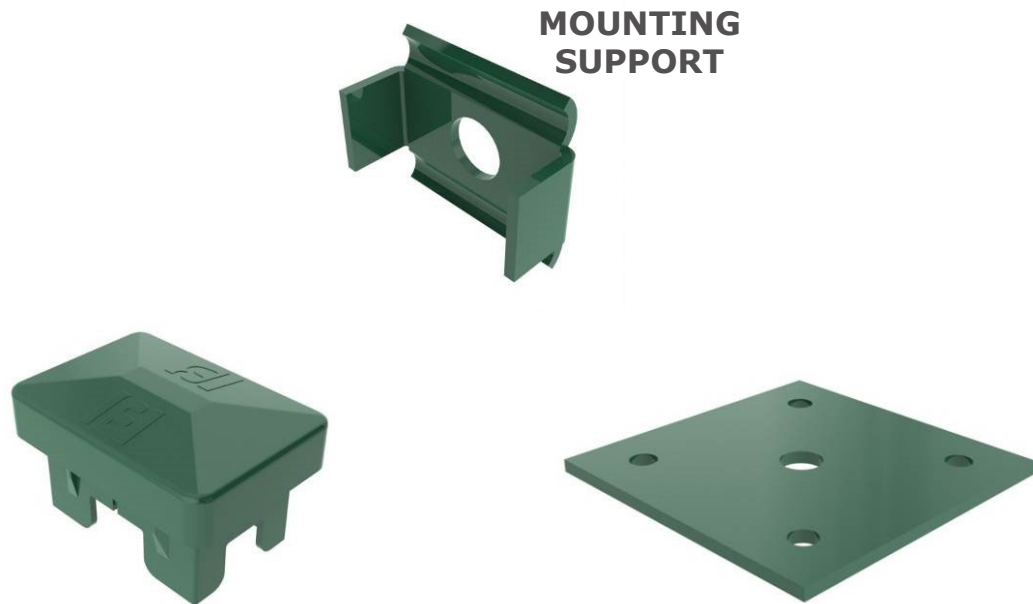
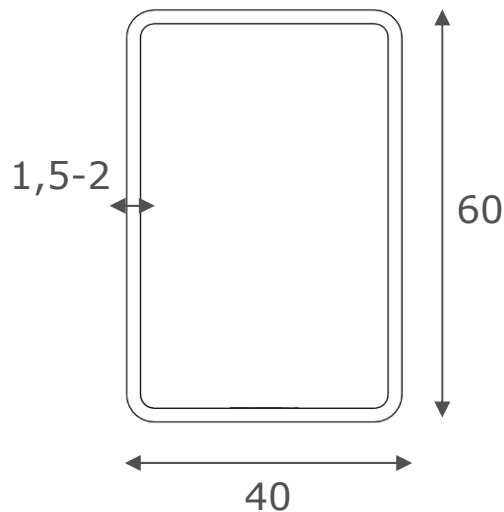
1. Foundations
2. Install posts
3. Install panels
4. Special cases

3. Maintenance

1. Components of the fencing system

1.1 The posts

- The section of the D-LOX[®] post is 60x40x1,5mm or 60x40x2mm, depending on the height of the fence
- Types: intermediate and corner posts
- The posts are foreseen of the appropriate holes and inserts M8 for the fixation of the panels. All posts have a mounting support on top.
- Posts are covered with a post cap in PA
- Posts can be installed in concrete or on floor plates (welded to the posts)



1. Components of the fencing system

1.2 The panels

- D-LOX® posts can be installed with Nylofor 2D, Nylofor 2D Super and Nylofor F panels. This is the standard range of posts & panels:

Height of the fence (mm)**	Post profile (mm)	Length of the posts concrete (mm)	Length of the posts floorplate (mm)	# inserts
606 (Nylofor F)	60x40x1,5*	1000	670	3
808 (only 2D super)	60x40x1,5*	1300	870	3
1006 (a)	60x40x1,5*	1500	1070	4
1008 (b)	60x40x1,5*	1500	1070	4
1206 (a)	60x40x1,5*	1700	1270	4
1208 (b)	60x40x1,5*	1700	1270	4
1406 (a)	60x40x1,5*	2000	1470	4
1408 (b)	60x40x1,5*	2000	1470	4
1606 (a)	60x40x1,5*	2200	1670	5
1608 (b)	60x40x1,5*	2200	1670	5
1830	60x40x2	2400	1870	5
2030	60x40x2	2600	2070	5
2230	60x40x2	3000	2270	6
2430	60x40x2	3200	2470	6

(a) Nylofor F/2D only - (b) Nylofor 2D Super only

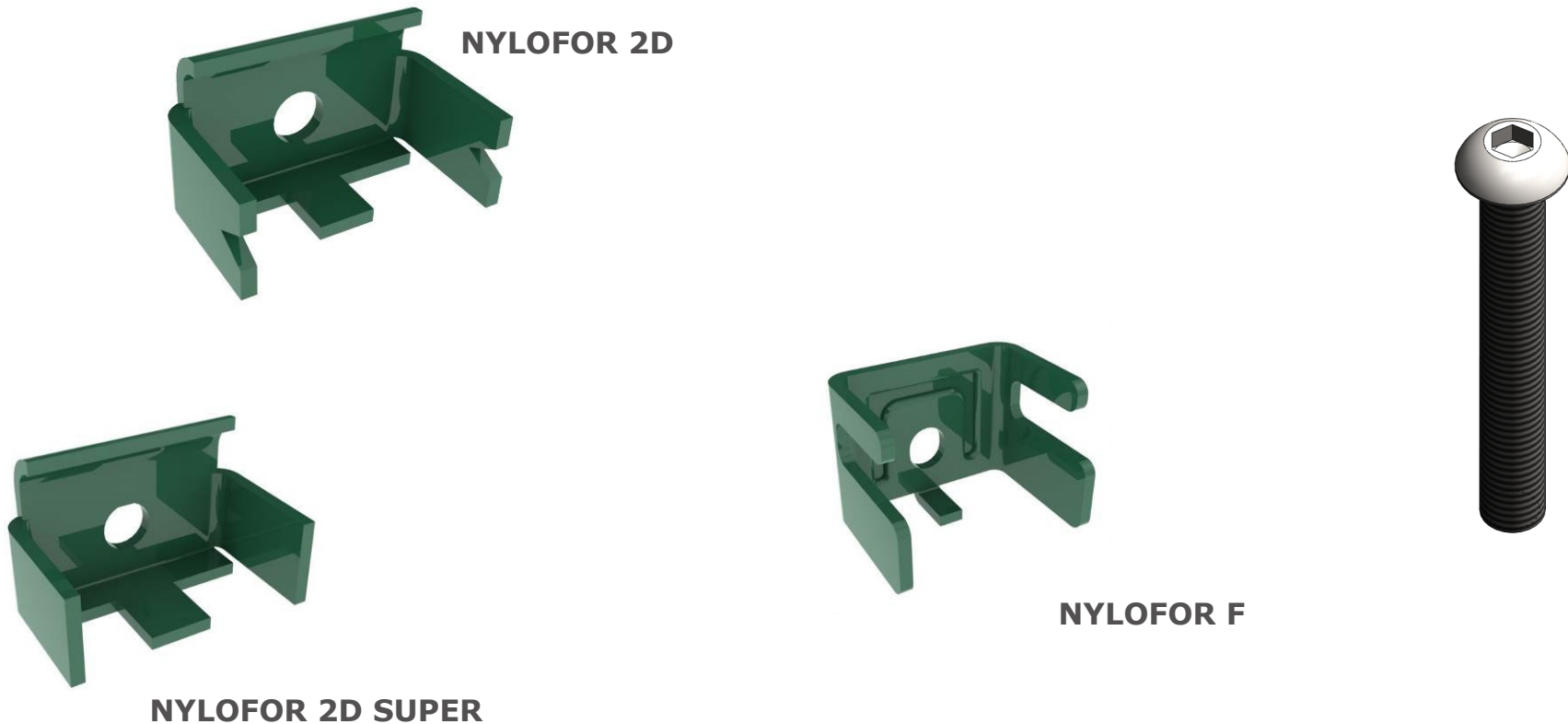
* If posts are hot dip galvanised and not polyester coated, the post profile is 60x40x2mm

** Overall height of the fence can be different depending on the clearance below the panel (20 to 50 mm)

1. Components of the fencing system

1.3 The panel clamps

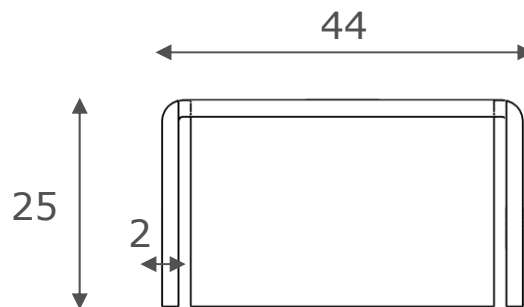
- D-LOX® posts can be installed with steel clamps
 - There are 3 types of clamps: A clamp for Nylofor 2D, Nylofor 2D Super and for Nylofor F panels. The clamps are fixed with Hexagon Socket Button Head screws (ISO7380) M8x40, in stainless steel



1. Components of the fencing system

1.4 The cover plates

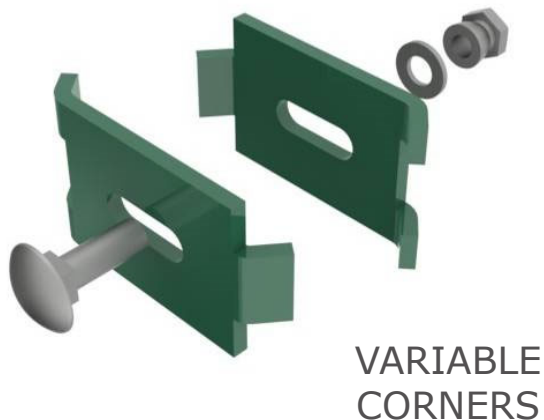
- D-LOX® posts can also be installed with steel cover plates 25x44x2mm
 - The cover plates are fixed with Hexagon Socket Button Head screws (ISO7380) M8x60, in stainless steel



1. Components of the fencing system

1.5 The corner clamps

- In case of a corner different from 90°, corner clamps are used
 - The corner clamps are fixed with Mushroom Head Square Neck bolts (DIN603) M8x25, in stainless steel



1. Components of the fencing system

1. The posts
2. The panels
3. The panel clamps
4. The cover plates
5. The corner clamps

2. Installation of D-LOX®

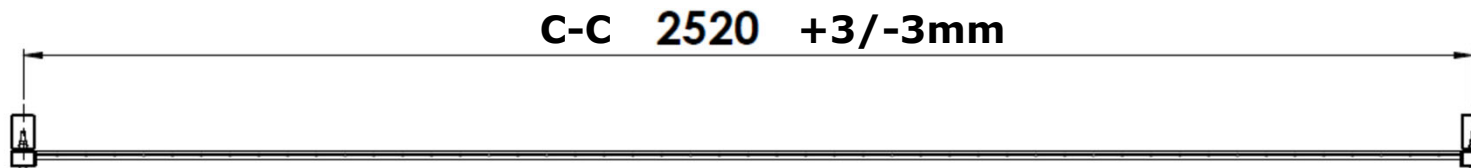
1. Foundations
2. Install posts
3. Install panels
4. Special cases

3. Maintenance

2. Installation of D-LOX®

2.1 Foundations

- To obtain the best result, it is recommended to level the ground over the whole length of the fence
- Align the fence line
- For correct positioning, maintain the centre-centre distance of 2520mm
- For end and corner posts, the interdistance should be 2500mm
- To determine the dimensions of the foundations it is recommended to consult a specialized engineer to evaluate wind load and solar conditions and any other factors requiring specialist opinion (concrete quality directive B30)
- In case of instant installation the post needs to be supported as long as necessary



2. Installation of D-LOX®

2.2 Install posts

- Installation principle: when installing D-LOX®, first all the posts can be placed and then the panels can be attached

ALIGNING THE POSTS

- Place a pin before the first post of the fence and another behind the last post. Connect those pins with two guide ropes
- The lower guide rope should be between 20 and 40 cm above the ground. Now align all inserts with the upper guide rope. The bottom of the panel should be around 50mm above ground level.



2. Installation of D-LOX®

2.2 Install posts

PLACEMENT OF THE POSTS (USE A TEMPLATE)

- A template makes it much easier to place the posts correctly
- The template must be made by the installer and must have 2 recesses into which the posts fit perfectly
- Place the posts, correctly aligned (vertically and horizontally) and with the correct distance between them.
- Install the posts so that the clearance between panel and floor is 50mm
- While the post is installed, make sure no water can stay inside the post. If the ground is impermeable, provide a drain hole on site.



2. Installation of D-LOX®

2.3 Install panels

INSTALLING THE PANELS

- The first panel should be installed to the other side of the post
- Always put two panels on the mounting support
- Fasten the top and bottom of the panels with a metal clamp or use a cover plate
- When perfectly aligned, fix the other clamps and bolts



2. Installation of D-LOX®

2.4 Special cases

INSTALLING CORNERS

There are 2 methods to make corners:

- Use a special corner post for corners of 90°. Corner posts have inserts on two adjacent sides.
- For every corner different from 90°, use two posts that are placed around 200mm outside the corner. Connect the panels with corner clamps.



2. Installation of D-LOX®

2.4 Special cases

INSTALLING SLOPES

With cover plate:

- Put one panel on the mounting support
- Take a second panel and install it to the front of the post with the required height difference
- Fix both panels to the post with the cover plate



3. Maintenance

- All Betafence panels and posts are maintenance free but it is recommended that the fence line would be checked every 4 months to make sure that all the connection screws are tightened and all the posts caps are in place. If screws or post caps are missing or broken those should be replaced or tightened immediately
- If there are visible scratches / damages on the coating, those should be re-sprayed immediately with a similar color paint
- If necessary the fence and posts can be washed with a light soap water and rinse afterwards with a **low water pressure**