

Hinges

Zinc die casting / Stainless Steel / Aluminium

SPECIFICATION

Types

- Type **A**: 2x2 bores for countersunk screws
- Type **C**: 2x2 threaded studs

Version in Zinc die casting

Zinc die casting **ZD**

plastic coated

- black, RAL 9005, textured finish **SW**
- silver, RAL 9006, textured finish **SR**
- chrome-plated **CR**

Pin, Stainless Steel AISI 303

Threaded stud (Type C), Stainless Steel AISI 316

Version in Stainless Steel

- AISI CF-8 **NI**
- German Material No. 1.4408 **A4**
- matt shot-blasted **GS**

Pin, Stainless Steel AISI 316Ti

Threaded stud (Type C), Stainless Steel AISI 316 for ZD and AL
Stainless Steel AISI CF-8, casted "in one piece"

Version in Aluminium

Aluminium **AL**

anodized, natural colour **EL**

Pin, Stainless Steel AISI 316Ti

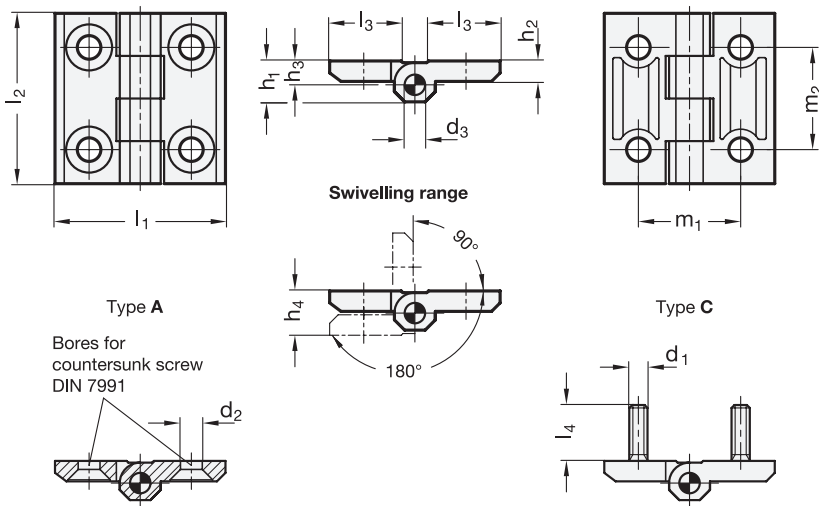
Threaded stud (Type C), Stainless Steel AISI 316

INFORMATION

GN 237 hinges are characterized by their compact and stable design. The various material and surface choices in combination with two mounting types enable very specific applications.

TECHNICAL INFORMATION

- Stainless Steel characteristics (see page A26)
- Load rating information of hinges (see page A40)
- List of hinges types (see page 1362)



GN 237-ZD

Description	l1	l2	d1	d2	d3	h1	h2	h3	h4 +0.5	l3	l4	m1	m2	⚖
GN 237-ZD-30-30-A-SW	30	30	-	4.3	3	7.5	4	4.5	8.5	10.7	-	18	18	19
GN 237-ZD-30-30-A-SR	30	30	-	4.3	3	7.5	4	4.5	8.5	10.7	-	18	18	19
GN 237-ZD-30-30-A-CR	30	30	-	4.3	3	7.5	4	4.5	8.5	10.7	-	18	18	19
GN 237-ZD-40-40-A-SW	40	40	-	5.3	4	9	5	5.5	11	14	-	25	25	42
GN 237-ZD-40-40-A-SR	40	40	-	5.3	4	9	5	5.5	11	14	-	25	25	45
GN 237-ZD-40-40-A-CR	40	40	-	5.3	4	9	5	5.5	11	14	-	25	25	50
GN 237-ZD-40-40-C-SW	40	40	M 5	-	4	9	5	5.5	11	14	12	25	25	59
GN 237-ZD-40-40-C-SR	40	40	M 5	-	4	9	5	5.5	11	14	12	25	25	59
GN 237-ZD-40-40-C-CR	40	40	M 5	-	4	9	5	5.5	11	14	12	25	25	69
GN 237-ZD-50-50-A-SW	50	50	-	6.4	6	11.5	6	6.5	13	18.5	-	30	30	87
GN 237-ZD-50-50-A-SR	50	50	-	6.4	6	11.5	6	6.5	13	18.5	-	30	30	89
GN 237-ZD-50-50-A-CR	50	50	-	6.4	6	11.5	6	6.5	13	18.5	-	30	30	87
GN 237-ZD-50-50-C-SW	50	50	M 6	-	6	11.5	6	6.5	13	18.5	12	30	30	102
GN 237-ZD-50-50-C-SR	50	50	M 6	-	6	11.5	6	6.5	13	18.5	12	30	30	103
GN 237-ZD-50-50-C-CR	50	50	M 6	-	6	11.5	6	6.5	13	18.5	12	30	30	102
GN 237-ZD-60-60-A-SW	60	60	-	8.3	8	15	8	8.5	17	21.5	-	36	36	160
GN 237-ZD-60-60-A-SR	60	60	-	8.3	8	15	8	8.5	17	21.5	-	36	36	160
GN 237-ZD-60-60-A-CR	60	60	-	8.3	8	15	8	8.5	17	21.5	-	36	36	164
GN 237-ZD-60-60-C-SW	60	60	M 8	-	8	15	8	8.5	17	21.5	14	36	36	200
GN 237-ZD-60-60-C-SR	60	60	M 8	-	8	15	8	8.5	17	21.5	14	36	36	190
GN 237-ZD-60-60-C-CR	60	60	M 8	-	8	15	8	8.5	17	21.5	14	36	36	194

GN 237-AL

Description	l1	l2	d2	d3	h1	h2	h3	h4 +0.5	l3	m1	m2	⚖
GN 237-AL-30-30-A-EL	30	30	4.3	3	7.5	4	4.5	8.5	10.7	18	18	11
GN 237-AL-40-40-A-EL	40	40	5.3	4	9	5	5.5	11	14	25	25	24
GN 237-AL-50-50-A-EL	50	50	6.4	6	11.5	6	6.5	13	18.5	30	30	48
GN 237-AL-60-60-A-EL	60	60	8.3	8	15	8	8.5	17	21.5	36	36	90

GN 237-A4

STAINLESS STEEL

Description	l1	l2	d2	d3	h1	h2	h3	h4 +0.5	l3	m1	m2	⚖
GN 237-A4-30-30-A-GS	30	30	4.3	3	7.5	4	4.5	8.5	10.7	18	18	23
GN 237-A4-40-40-A-GS	40	40	5.3	4	9	5	5.5	11	16	25	25	57
GN 237-A4-50-50-A-GS	50	50	6.4	6	11.5	6	6.5	13	21	30	30	110
GN 237-A4-60-60-A-GS	60	60	8.3	8	15	8	8.5	17	26	36	36	200

GN 237-NI

STAINLESS STEEL

Description	l1	l2	d1	d2	d3	h1	h2	h3	h4 +0.5	l3	l4	m1	m2	⚖
GN 237-NI-30-30-A-GS	30	30	-	4.3	3	7.5	4	4.5	8.5	10.7	-	18	18	25
GN 237-NI-40-40-A-GS	40	40	-	5.3	4	9	5	5.5	11	16	-	25	25	57
GN 237-NI-40-40-C-GS	40	40	M 5	-	4	9	5	5.5	11	16	11	25	25	69
GN 237-NI-50-50-A-GS	50	50	-	6.4	6	11.5	6	6.5	13	21	-	30	30	100
GN 237-NI-50-50-C-GS	50	50	M 6	-	6	11.5	6	6.5	13	21	13	30	30	128
GN 237-NI-60-60-A-GS	60	60	-	8.3	8	15	8	8.5	17	26	-	36	36	180
GN 237-NI-60-60-C-GS	60	60	M 8	-	8	15	8	8.5	17	26	17	36	36	200

